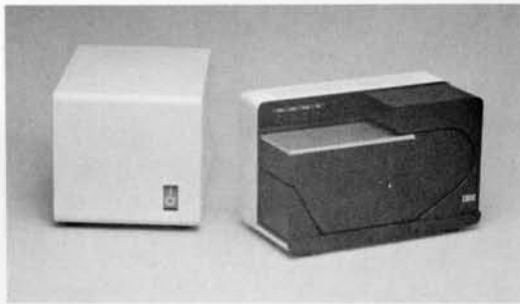


5922 S11

DOCUMENT READER



## 5922 S11 DESCRIPTION

IBM 5922 S11 RPQ 7S0265 is designed to read OCR A1 or B1 font characters on the documents (i.e. Giro and cheque). The data on the documents (cheque No., account No. etc.), when read by the 5922 S11, can be displayed on the 3604 or 3276-78 screen. Additional information can manually be entered on the 3604 or 3276-78 keyboard.

### Highlights

IBM 5922 S11 can be ordered in three different versions:

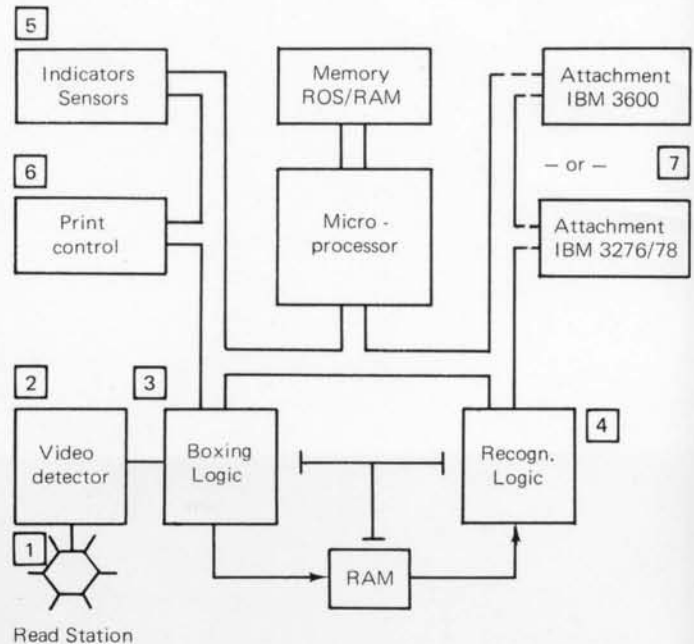
- "Integrated" or "Distributed" version connected to the B-loop of IBM 3600 FCS.
- "Integrated" version connected to IBM 3278-76 D.S.

The "Integrated" version consists of a single table-top box housing electronics and feed mechanism.

The "Distributed" packaging feature (RPQ 7S0271 - plant only) gives two separate boxes for electronic and feed mechanism.

Reads characters OCR A1 or B1 font documents, selected by specify code.

Works with all models of 3604.



### Features

If connected to IBM 3600, a matrix printer capable of printing up to 75 characters on the front of the document can be ordered (RPQ 7S0264). The print station is located after the read station. Plant installation only.

Three other features (plant installation only):

- Alternate code line (RPQ 7S0272)
  - Print short documents (RPQ 7S0273)
  - Upper eject position (RPQ 7S0274)
- give additional flexibility to meet specific customer requirements.

### Serviceability Features

No scheduled PM, Customer Problem Determination Procedure, Resident bring up test, Device test, Industry System maintenance structure.

### Training

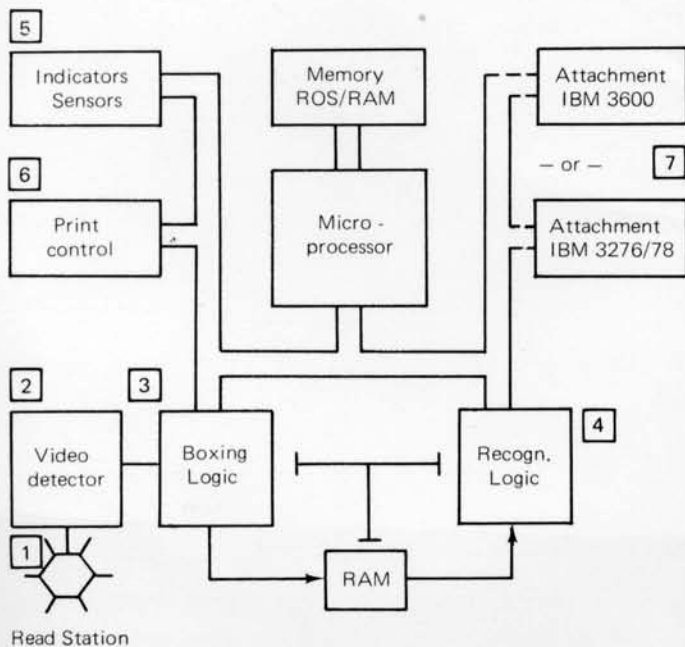
- Self study

### CE Career Path

- DRCE

### Customer Set Up (CSU)

The 5922 S11 is designed to be set up by the customer.



### Features

If connected to IBM 3600, a matrix printer capable of printing up to 75 characters on the front of the document can be ordered (RPQ 7S0264). The print station is located after the read station. Plant installation only.

Three other features (plant installation only):

- Alternate code line (RPQ 7S0272)
- Print short documents (RPQ 7S0273)
- Upper eject position (RPQ 7S0274)  
give additional flexibility to meet specific customer requirements.

### Serviceability Features

No scheduled PM, Customer Problem Determination Procedure, Resident bring up test, Device test, Industry System maintenance structure.

### Training

- Self study

### CE Career Path

- DRCE

### Customer Set Up (CSU)

The 5922 S11 is designed to be set up by the customer.

When a document is manually inserted into the document insert slot of the reader it will pass a document sensing device (LED and phototransistor), which will start the motor/belt driven document transportation.

**1** When the document passes the read station, the code line is scanned to build up an electrical image of the characters. The read station consists of a pair of lamps, a lens system and a photo diode array.

**2** The purpose of the video detector is to sample the array signal pulses into an analog signal of the code line.

**3** The Boxing Logic uses the video information to find out the size of the characters. The video information is also buffered in the RAM to be available for the recognition logic and to offload the microprocessor.

**4** The recognition logic uses a "mask-matching" method. The reco.logic fetches the character image from the RAM buffer and tests it against predefined character masks in the ROS.

**5** Ready, Inhibit, Reject and Test indicators help the operator with handling and problem determination. Document feeding is controlled by LEDs and phototransistors.

**6** Printing takes place on a print command from the 3601/02 application program.

**7** The attachments to IBM 3600 or IBM 3276-78 are mutually exclusive.

IBM World Trade Corporation  
DP Customer Engineering  
EHQ Paris, France

Printed in Western Germany

Z-7902-717