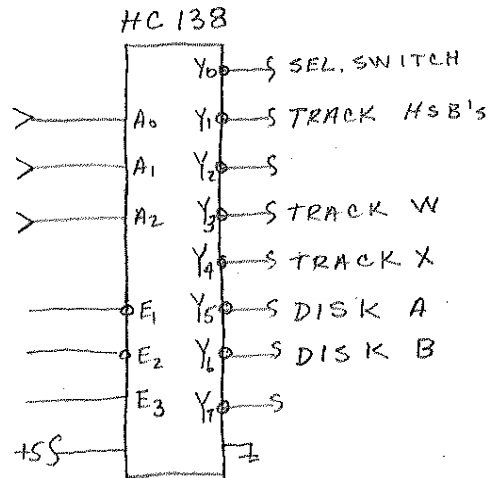
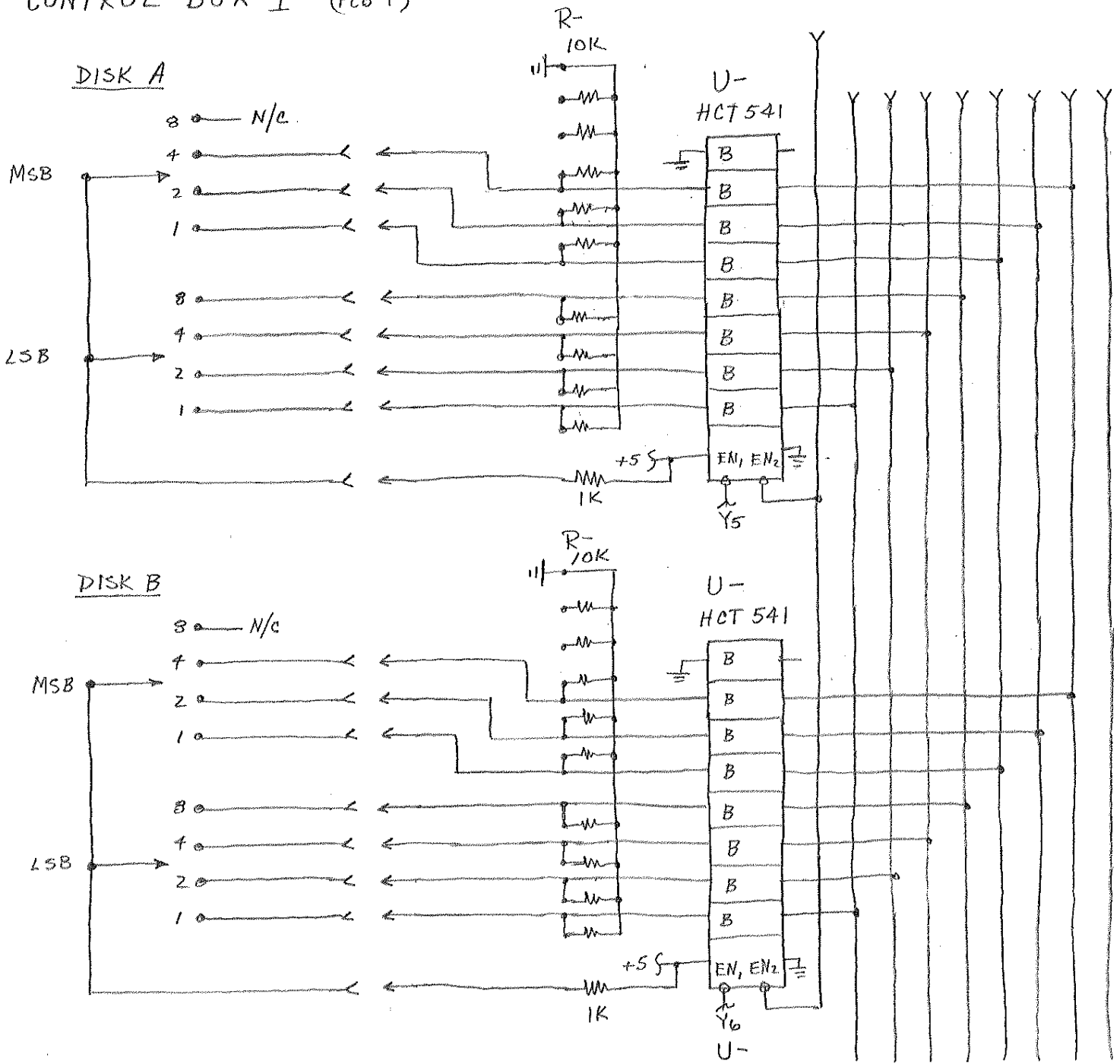
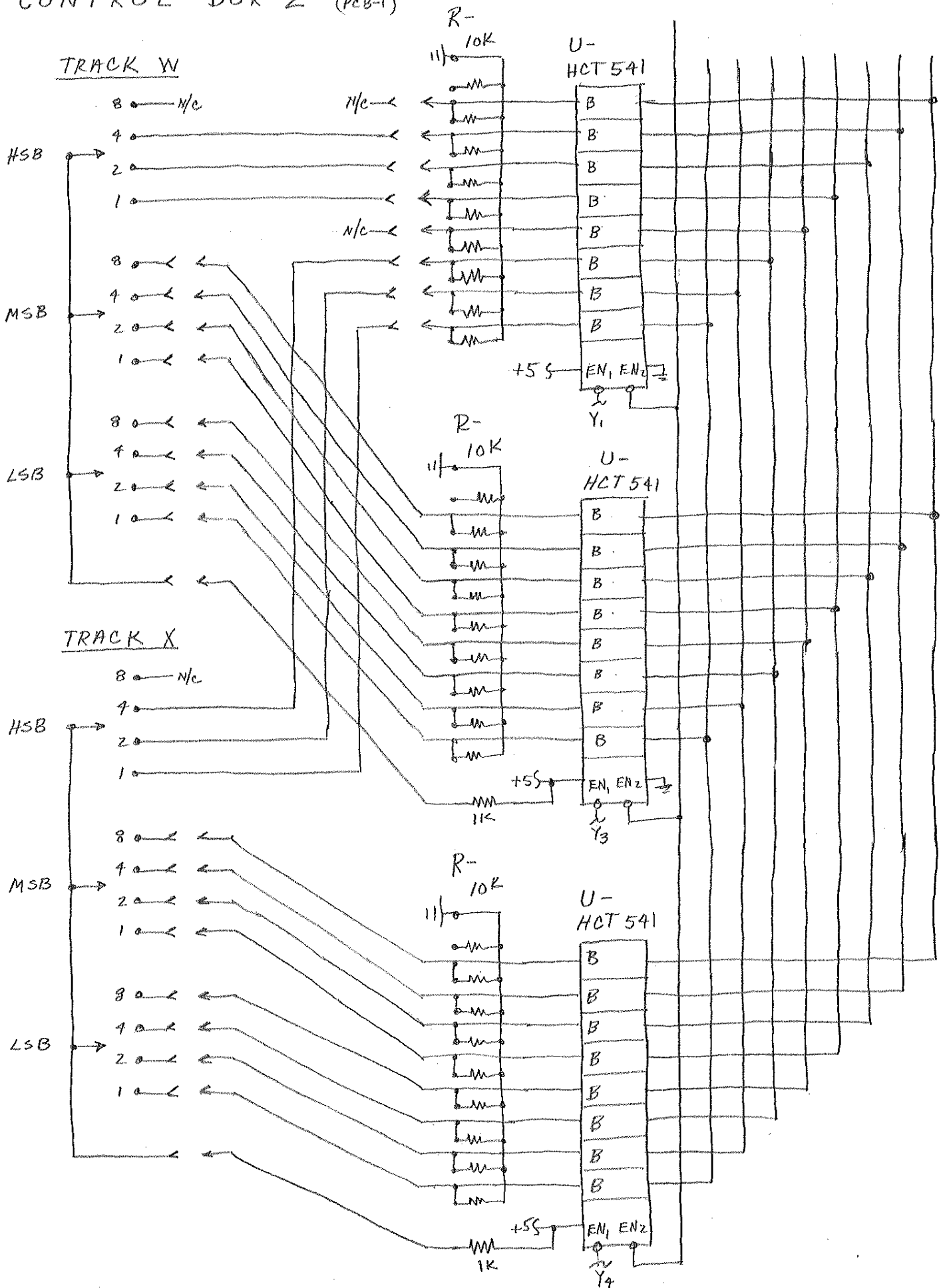


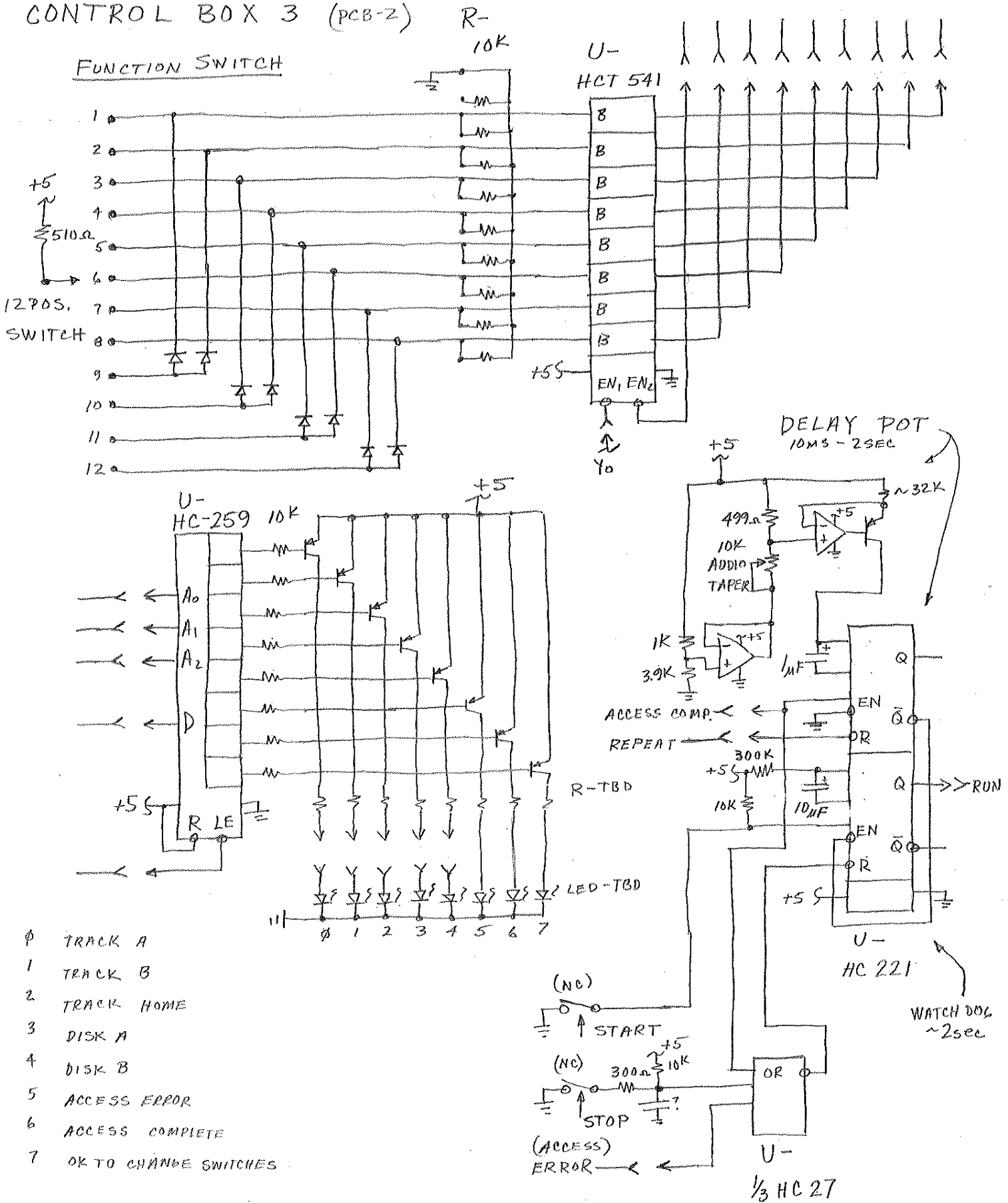
CONTROL BOX 1 (PCB-1)



CONTROL BOX 2 (PCB-1)



CONTROL BOX 3 (PCB-Z)



- Φ TRACK A
- 1 TRACK B
- 2 TRACK HOME
- 3 DISK A
- 4 DISK B
- 5 ACCESS ERROR
- 6 ACCESS COMPLETE
- 7 OK TO CHANGE SWITCHES